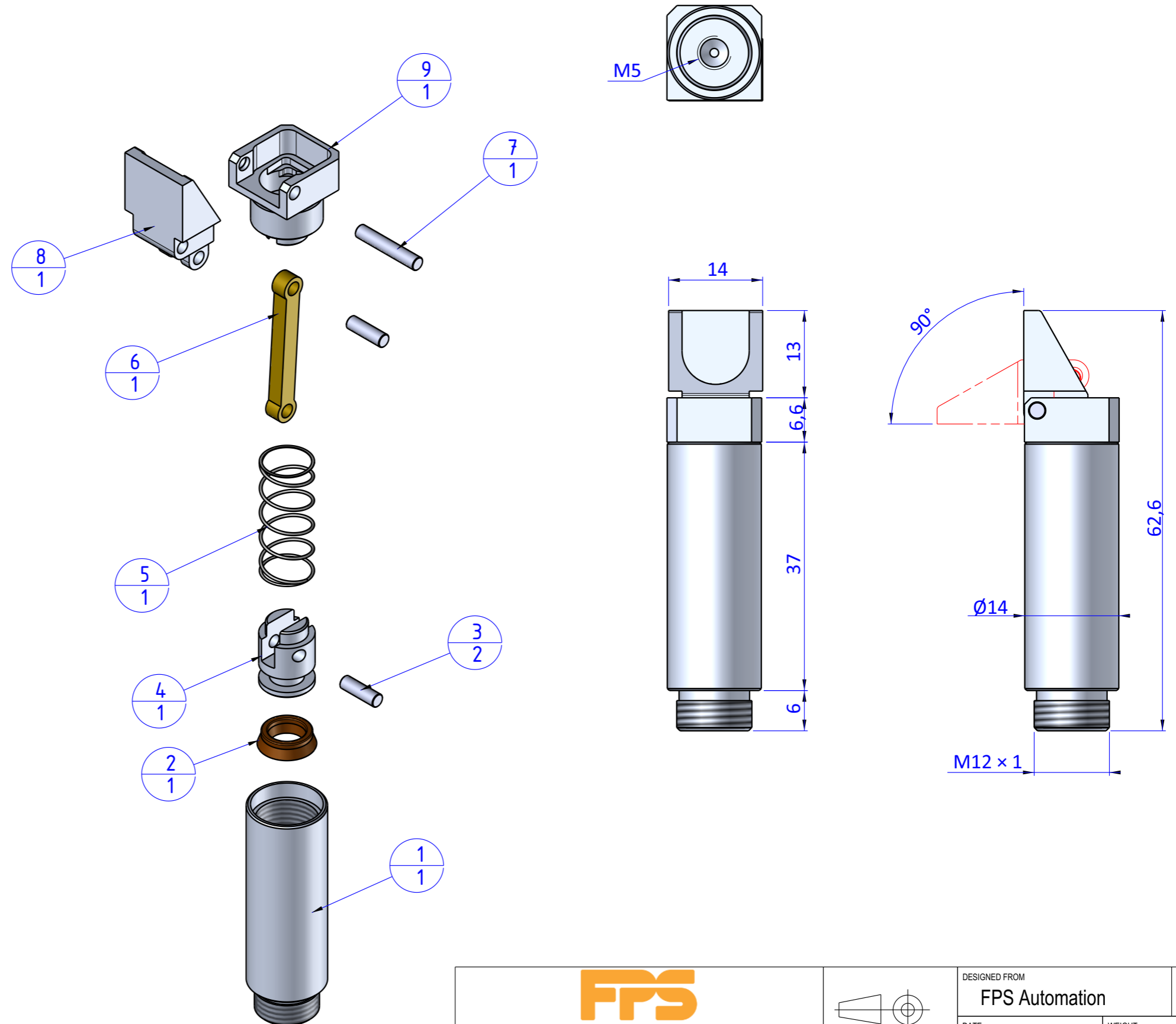

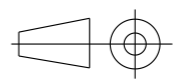


THE PROPERTY OF THE DRAWING IS ESTABLISHED BY LAW. IT IS FORBIDDEN TO PRODUCE OR SHOW IT TO THIRD PART. WITHOUT A WRITTEN AGREEMENT.

Item	Name	Q.ty
1	GFI14.95.E.02	1
2	PSP.100603	1
3	SP.2,5x8M6	2
4	GFI14.95.E.03	1
5	M.9x23	1
6	GFI14.95.E.04.L	1
7	SP.2,5x14M6	1
8	GFI14.95.E.06	1
9	GFI14.95.E.05	1



Format A3  
UNI 936-76

 <b>FPS</b> FPSERVICES AUTOMATION			DESIGNED FROM <b>FPS Automation</b>	REVIEW <b>A</b>
GENERAL TOLERANCE UNI - ISO 2768 CLASSE f	DESCRIPTION CA.GFI.1495.E(Libera)	DATE 16/11/2017	WEIGHT 0,019kg	CODE <b>CA.GFI.1495.E</b>